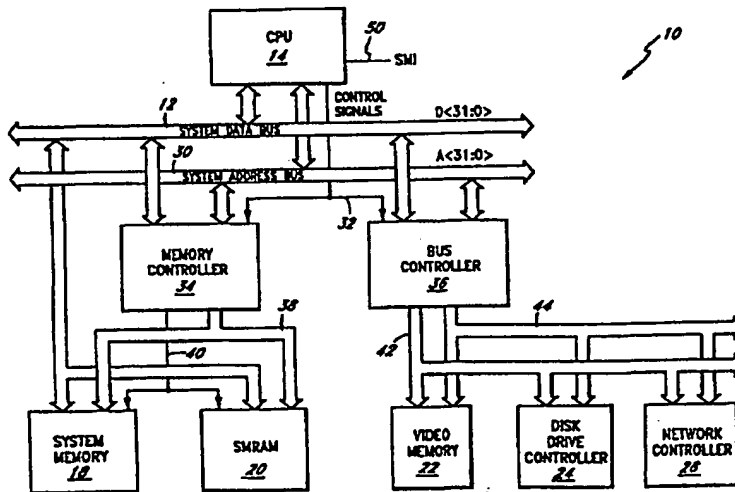




INTERNATIONAL APPLICATION PUBLISHED UNDER THE PATENT COOPERATION TREATY (PCT)

<p>(51) International Patent Classification ⁶ : G06F 12/10, 9/46</p>	<p>A1</p>	<p>(11) International Publication Number: WO 99/18511 (43) International Publication Date: 15 April 1999 (15.04.99)</p>
<p>(21) International Application Number: PCT/US98/21088 (22) International Filing Date: 7 October 1998 (07.10.98) (30) Priority Data: 08/946,416 7 October 1997 (07.10.97) US (63) Related by Continuation (CON) or Continuation-in-Part (CIP) to Earlier Application US 08/946,416 (CON) Filed on 7 October 1997 (07.10.97) (71) Applicant (for all designated States except US): PHOENIX TECHNOLOGIES, LTD. [US/US]; 411 E. Plumeria Drive, San Jose, CA 95134 (US). (72) Inventor; and (75) Inventor/Applicant (for US only): EDRICH, David, S. [US/US]; 2 Monte Verde Heights, Santa Cruz, CA 95060 (US). (74) Agents: ELLIS, William, T. et al.; Foley & Lardner, Suite 500, 3000 K Street, Washington, DC 20007-5109 (US).</p>	<p>(81) Designated States: AL, AM, AT, AU, AZ, BA, BB, BG, BR, BY, CA, CH, CN, CU, CZ, DE, DK, EE, ES, FI, GB, GE, HU, ID, IL, IS, JP, KE, KG, KP, KR, KZ, LC, LK, LR, LS, LT, LU, LV, MD, MG, MK, MN, MW, MX, NO, NZ, PL, PT, RO, RU, SD, SE, SG, SI, SK, SL, TJ, TM, TR, TT, UA, UG, US, UZ, VN, YU, ZW, ARIPO patent (GH, GM, KE, LS, MW, SD, SZ, UG, ZW), Eurasian patent (AM, AZ, BY, KG, KZ, MD, RU, TJ, TM), European patent (AT, BE, CH, CY, DE, DK, ES, FI, FR, GB, GR, IE, IT, LU, MC, NL, PT, SE), OAPI patent (BF, BJ, CF, CG, CI, CM, GA, GN, GW, ML, MR, NE, SN, TD, TG).</p> <p>Published With international search report. Before the expiration of the time limit for amending the claims and to be republished in the event of the receipt of amendments.</p>	

(54) Title: METHOD AND APPARATUS FOR PROVIDING EXECUTION OF SYSTEM MANAGEMENT MODE SERVICES IN VIRTUAL MODE



(57) Abstract

The present invention is an apparatus and method for executing instructions in a system management mode in a processor-based system. The apparatus comprises a memory for storing instruction sequences by which the processor-based system is processed where the memory includes a system management random access memory (SMRAM). The apparatus also comprises a processor having a system address space, that executes the stored instruction sequences. The stored instruction sequences include process steps to cause the processor to: (a) configure the processor to operate in a protected mode while in a system management mode, the processor operating at address greater than one megabyte; (b) invoke a paging feature of the processor; (c) configure the processor to operate in a virtual mode; and (d) process the instruction sequences; wherein the process steps occur upon the receipt of an instruction to process a system management request.

FOR THE PURPOSES OF INFORMATION ONLY

Codes used to identify States party to the PCT on the front pages of pamphlets publishing international applications under the PCT.

AL	Albania	ES	Spain	LS	Lesotho	SI	Slovenia
AM	Armenia	FI	Finland	LT	Lithuania	SK	Slovakia
AT	Austria	FR	France	LU	Luxembourg	SN	Senegal
AU	Australia	GA	Gabon	LV	Larvia	SZ	Swaziland
AZ	Azerbaijan	GB	United Kingdom	MC	Monaco	TD	Chad
BA	Bosnia and Herzegovina	GE	Georgia	MD	Republic of Moldova	TG	Togo
BB	Barbados	GH	Ghana	MG	Madagascar	TJ	Tajikistan
BE	Belgium	GN	Guinea	MK	The former Yugoslav Republic of Macedonia	TM	Turkmenistan
BF	Burkina Faso	GR	Greece	ML	Mali	TR	Turkey
BG	Bulgaria	HU	Hungary	MN	Mongolia	TT	Trinidad and Tobago
BJ	Benin	IE	Ireland	MR	Mauritania	UA	Ukraine
BR	Brazil	IL	Israel	MW	Malawi	UG	Uganda
BY	Belarus	IS	Iceland	MX	Mexico	US	United States of America
CA	Canada	IT	Italy	NE	Niger	UZ	Uzbekistan
CF	Central African Republic	JP	Japan	NL	Netherlands	VN	Viet Nam
CG	Congo	KE	Kenya	NO	Norway	YU	Yugoslavia
CH	Switzerland	KG	Kyrgyzstan	NZ	New Zealand	ZW	Zimbabwe
CI	Côte d'Ivoire	KP	Democratic People's Republic of Korea	PL	Poland		
CM	Cameroon	KR	Republic of Korea	PT	Portugal		
CN	China	KZ	Kazakstan	RO	Romania		
CU	Cuba	LC	Saint Lucia	RU	Russian Federation		
CZ	Czech Republic	LI	Liechtenstein	SD	Sudan		
DE	Germany	LK	Sri Lanka	SE	Sweden		
DK	Denmark	LR	Liberia	SG	Singapore		
EE	Estonia						

METHOD AND APPARATUS FOR PROVIDING EXECUTION OF SYSTEM MANAGEMENT MODE SERVICES IN VIRTUAL MODE

1. Field of the Invention

The present invention relates generally to memory in microcontroller-based systems, and more particularly to an apparatus and method of executing system management mode services in the virtual mode.

2. Description of the Related Art

Modern computers based on the personal computer architecture may perform power management or other system management functions by employing an operating mode of the Intel x86 family of microprocessors, known as the System Management Mode (SMM). SMM can be used by the system firmware to control product-specific hardware features in a manner which is transparent to the operating system and applications software. SMM may be used, for example, for system management information such as the system configuration or the configuration of a powered-down device, or to invoke a power-saving routine such as a zero-volt suspend function.

The SMM is invoked through an SMI, which typically executes slowly, as compared to the rate of normal code execution. This is because SMIs typically operate below the 1 Megabyte boundary in an uncached memory area. This feature is implemented in

order to avoid cache conflict with overlapping memory. During the occurrence of the SMI, the CPU executes in the SMM mode which is exactly like real mode except the segment limits extend to 4 Gbytes rather than just 64 Kbytes for data accesses. Code execution addressability is still limited to only 1 Megabyte. Such an approach results in limited system performance.

One alternate approach involves the transfer of SMI code and data, whenever an SMI is invoked, from a cacheable region above the 1 Megabyte boundary to a cacheable region below the 1 Megabyte boundary. Execution of the SMI will then occur in standard SMM mode, and the SMI code is transferred back to the cacheable region above the 1 Megabyte area upon completion of the SMI. Such an approach takes significant time and therefore results in reduced system performance.

Accordingly, there is a need in the technology for an apparatus and method for overcoming the aforementioned problems. In particular, there is a need for an apparatus and method for efficient and secure execution of system management interrupt service code in a cached area without having to rewrite existing software.

BRIEF SUMMARY OF THE INVENTION

The present invention is an apparatus and method for executing instructions in a system management mode in a processor-based system. The apparatus comprises a memory for storing instruction sequences by which the processor-based system is processed. The apparatus also comprises a processor having a system address space, that executes the stored instruction sequences. The stored instruction sequences include process steps to cause the processor to: (a) configure the processor to operate in a protected mode while in a system management mode, the processor operating at an address greater than one megabyte; (c) invoke a paging feature of the processor; (d) configure the processor to operate in a virtual mode; and (e) process the instruction sequences stored, wherein the process steps occur upon the receipt of an instruction to process a system management request.

BRIEF DESCRIPTION OF THE DRAWINGS

Figure 1 illustrates an exemplary processor system which implements the processes of the present invention.

Figure 2A illustrates an exemplary system address map 50
5 for the processor system of Figure 1.

Figure 2B illustrates an exemplary layout of SMRAM 20.

Figures 3A - 3G illustrate the registers of one embodiment
of the CPU 14.

Figure 4 illustrates one embodiment of the I/O bit map
10 utilized in the present invention.

Figure 5 illustrates the mapping of data and code stored in
SMRAM from physical memory to the CPU address space.

Figure 6 illustrates the transfer of control to a segment
of memory through the execution of a NEAR JMP operation, in
15 accordance with the principles of the present invention.

Figures 7A and 7B are flowcharts illustrating one
embodiment of the process of the present invention.

DETAILED DESCRIPTION OF THE PREFERRED INVENTION

The present invention creates a virtual monitor that runs under the system management mode (SMM) with memory paging enabled to execute SMI code in virtual mode. The
5 virtual mode operation allows the SMM code that was written (for SMM mode that had to run below 1 Megabyte) to execute above the 1 Megabyte boundary. In particular, the entire SMI handler is mapped above the 1 Megabyte boundary and power management code is executed as a page-enabled,
10 protected mode virtual task within SMM mode. With the SMI handler code in a completely separate memory space, cache flushes would be unnecessary when entering the SMM, since memory usage with the regular system would not overlap.

The present embodiment is described in reference to a
15 processor system 10. Figure 1 illustrates an exemplary processor system 10 which implements the processes of the present invention. Within the processor system 10, bus transactions are performed via a system data bus 12 between a processor or central processing unit (CPU) 14 and a system
20 memory 18, a System Management Random Access Memory (SMRAM) 20, a video memory 22, and various I/O and peripheral modules such as a disk drive controller 24 and a network controller 26. The CPU 14 is coupled via a system address bus 30 and a CPU control signal line 32 to a memory controller 28 and a bus controller

36. The memory controller 34 is in turn coupled to the system memory 18 and SMRAM 20.

The memory controller 34 provides memory address via lines 38 and memory control signals via lines 40 to the system memory 18 and SMRAM 20 to enable data transfers between the system memory 18 or SMRAM 20 and the CPU 14 via system data bus 12. The CPU 14 is also coupled via the system address bus 30, system data bus 12 and CPU control signal line 32 to the bus controller 36, which is in turn coupled via a buffered address bus 42 and a buffered data bus 44 to the video memory 22, disk drive controller 24, the network controller 26 and any other peripheral device. The processor system 10 may be implemented as a desktop computer, a notebook computer or a server. The memory controller 34 and other system logic are typically integrated into what is termed a chipset to provide power management BIOS services. Examples of such chipsets include the Falconer chipset manufactured by Seiko-Epson under the part designations SPC8210 and SPC8220. Other examples of such chipsets include the INTEL 430TX, INTEL 430HX, and INTEL 440BX chipsets.

In one embodiment, the CPU 14 is the Intel 486 microprocessor marketed by Intel Corporation. In an alternate embodiment, the CPU 14 may be the K-6 microprocessor as marketed by AMD. In a further embodiment, the CPU 14 is the 586 microprocessor as marketed by Cyrix Corp. It is understood by

one of ordinary skill in the technology that the present invention can be implemented in any processor-based system which employs any microprocessor that provides the use of a System Management Mode (SMM), which is an operating mode that employs a
5 dedicated interrupt line (line 50 in Figure 1) and memory space SMRAM 20. SMM is used to implement intelligent power management and other enhanced system functions in firmware in a manner which is completely transparent to the operating system and applications software.

10 SMM is invoked by generating a System Management Interrupt via assertion of the SMI signal to the CPU 14. The CPU 14, in response, asserts the SMIACT control signal provided via line 32 which accesses SMRAM 20. SMRAM 20 is a memory space dedicated and secured for use in SMM only - i.e., the operating system and
15 applications software do not have access to this space. The current CPU 14 state (context) is stored in SMRAM 20 after assertion of the SMIACT signal and the CPU 14 then jumps to a location in SMRAM 20 to execute the SMI handler code for performing the system management activities. Upon completion of
20 the system management activities, the SMI handler executes a resume (RSM) instruction which restores the CPU 14's context from SMRAM 20, de-asserts the SMIACT signal, and then returns control to the previously interrupted operating system or application program execution.

25 Addresses asserted by the CPU 14 (Figure 1) on the address

bus 30 are referred to in hexadecimal format, denoted by the suffix 'H'. The Intel microprocessor's address bus 30 is 32 bits wide and is thus capable of addressing a four gigabyte system address space 50. The SMRAM 20 may be located anywhere
5 within this system address space 50, however, as implemented in many chipsets (e.g., in the Falconer chipset manufactured by Seiko-Epson under the part designations SPC8210 and SPC8220), the CPU 14 is configured to automatically map the SMRAM code and data from physical memory to a portion of the CPU 14's address
10 space 50 that is below 1 Megabyte.

Figure 2A illustrates an exemplary system address map or space 50 for the processor system 10 of Figure 1. The lowest 640 Kbytes of system address, that is, 0H-9FFFF, map to system memory 18. System addresses A0000H - BFFFFH map to video memory
15 22. System addresses C0000H - CFFFFH map to video BIOS code. System addresses D0000H - DFFFFH and E0000H - EFFFFH are often mapped to separate PCMCIA peripheral areas respectively, or may be mapped to other types of peripheral devices. System addresses F0000H - FFFFFH are reserved for BIOS code. System
20 addresses 100000H (1 Megabyte) and beyond are mapped to system memory for applications use.

Figure 2B illustrates an exemplary layout of SMRAM 20. The processor or CPU 14 pre-defines the range of addresses within SMRAM 20 that are used to save the CPU's 14 state (or context)
25 when entering SMM. The CPU 14 also specifies the entry point of

the SMI code. These locations are relative to the base address of the SMRAM 20. The other areas of SMRAM 20 illustrated in Figure 2B are implementation-specific and left to the SMM programmer to define.

5 In one embodiment, the base address of SMRAM 20 is set by the CPU 14 to a default value of A0000h. The CPU 14 defines a 512 byte region of SMRAM starting at location AFFFFh (SMRAM base + FFFFh) downward to AFE00h for saving the CPU's 14 context. Once the CPU's 14 context is saved, the CPU 14 jumps to the
10 entry point of the SMI handler at SMM location A8000h (SMRAM base + 8000h). The SMI handler then executes its routine within SMRAM, using it to store data and stacks as required.

 Although the CPU 14 may be implemented using a number of designs as discussed above, for present discussion purposes, the
15 x86 family of Intel processors will be referred to. Figures 3A - 3F illustrate the registers of the x86 family of processors which are used in the discussion of the present invention. The x86 family of processors each include eight thirty-two bit general registers EAX, EBX, ECX, EDX, ESI, EDI, EBP and ESP.
20 The sixteen lower order bits of the AX, BX, CX, DX registers are independently addressable in eight bit increments as the AH (high), AL (low), BH, BL, CH, CL, DH and DL registers for byte addressing. In addition, the processors contain six sixteen bit segment registers which hold segment selectors that index into
25 tables of segment descriptors in memory for determining the

addresses of the segments. Two thirty-two bit registers, EFLAGS and EIP (instruction pointer) are used for status and control purposes.

Each x86 processor also includes four registers used for
5 memory management. A global descriptor table register (GDTR)
stores the base address at which a global descriptor table may
be found in memory; the global descriptor table holds the
segment descriptors which provide a base address, a size and
protections by which segment addressing is accomplished. A
10 local descriptor table register (LDTR) also stores base
addresses at which local descriptor tables may be found in
memory; and a local descriptor table holds the segment
descriptors by which segment addressing for individual programs
is accomplished. A task register (TR) holds information
15 including the address of a task state descriptor (TSS) in the
global descriptor table which is used to switch between
programs. An interrupt descriptor table register (IDTR) holds
address and other information pointing to a table from which the
addresses for interrupt operations may be determined.

20 The processors also include four control registers CR0,
CR1, CR2 and CR3. The CR0 register holds system control flags
which control the modes of operation or indicate states which
apply to the processor. The CR0 register holds various control
bits including a paging bit (31) which must be set for paging to
25 occur and which must be cleared when paging is to be disabled.

In the x86 family of processors, a program is referred to as a task. A task is started by an exception, jump, interrupt or a call. When one of these instructions for transferring an operation is used with reference to a destination, to invoke a task switch, switching between programs will occur. A task switch transfers execution from one program to another. When this transfer occurs, the contents of nearly all of the registers used with the previous process must be saved, especially the contents of the EFLAGS register which contains the results of the conditional operations already underway. The state of the various tasks is saved to the task state segment (TSS) (see Figure 4) which is a data structure defined by a task state segment descriptor. A task state segment descriptor includes the base address of the task state segment and a busy bit which indicates that the task is presently running or waiting to run. In addition to a task state segment descriptor, a task gate descriptor which provides an indirect index to a task state segment descriptor may be used for transfer of control between tasks.

To provide multitasking, a task state segment must be constructed and a TSS descriptor must be created and placed in the global descriptor table so that the task state segment may be accessed and the saved state recovered. In addition, a task register TR must be loaded with an index to the TSS descriptor in the global register so that the task state segment may be accessed.

The x86 family of processors also provides a protection mechanism for accesses to the I/O address space through the use of an I/O bit map. Figure 4 illustrates an exemplary I/O bit map in a task state segment (TSS). The I/O bit map is part of the TSS of the respective task, so that different tasks can refer to different I/O bit maps. The I/O map base entry in the TSS descriptor provides the offset within the TSS where the corresponding I/O bit map begins. A valid I/O bit map is present if the I/O map base is contained in the TSS. The I/O bit map must be created during the power-on self test (POST) or after an SMI has been invoked, as discussed in detail in the following sections. The I/O bit map is examined by the CPU to determine whether the required I/O port or an I/O location can actually be addressed. For example, the port or location with the address 0 is associated with the bit contained in the map that has an offset of 0, and the port or location with the address 1 is associated with the bit that has an offset of 1, etc. When the bit in the map corresponding to the port or location is cleared (equals 0), and there is an access to the applicable port, the particular port or I/O location can be used for the task. Conversely, if the bit in the map corresponding to the I/O location is set (equals 1), the particular I/O location cannot be used for the task. The length of the map sets the additional number of protected ports of I/O locations. All of the ports that are not included in the map are automatically assigned a set bit. An access to a port that is not included in the map automatically products an exception. In

one embodiment, when using the Pentium processor, a total of (64K ports)/(8bits for every byte), that is, 8192 bytes are necessary to protect the complete I/O address space of the Pentium processor with 64 Kbytes 8-bit ports.

5 The x86 family of processors support the V86 mode of operation by the hardware setup provided in the protected mode of operation. The processors are able to execute a number of 8086 programs as virtual 8086 tasks. A virtual task is set up to provide in software what appears to be an 8086 environment.

10 A virtual 8086 task uses the x86 processor hardware and system software to execute a real mode program. The processor hardware uses the TSS data structure to provide a virtual memory space and executes the instructions for that task using the processor hardware registers and the virtual memory. The system software

15 controls the interface of any virtual task with respect to other tasks being executed. This system software is referred to as the virtual 8086 monitor.

In order to switch to the virtual 8086 mode, the VM bit (17) of the CR0 register must be set. (This is done

20 automatically by a FAR JUMP to a V86 TSS). When operating in the virtual 8086 mode, the processor combines the segment registers (CS or DS or ES or FS or GS) with the standard pointer registers or offsets to form linear addresses in the same manner as an 8086 processor running in real mode. However, these

25 linear addresses go through a paging unit to map to 1 Megabyte

of physical memory, which can be anywhere in the system. Thus, when running a virtual 8086 task, the processor forms the V86 mode addresses as in real mode and runs the application program which is the virtual task. The processor returns to protected
5 mode in order to run the system virtual machine monitor software.

As described earlier, SMM is invoked by generating a System Management Interrupt via assertion of the SMI signal to the CPU 14. The CPU 14, in response, asserts the SMIACK control signal
10 provided via line 32 which accesses SMRAM 20. In accordance with the principles of the present invention, the data and code stored in SMRAM 20 located in physical memory is first mapped into a location 22 that is above 1 Megabyte in the system address space 50, as shown in Figure 5. The current CPU 14
15 state (context) is stored in SMRAM 20 after assertion of the SMIACK signal. The CPU 14 then jumps to the location in SMRAM 20 that is above 1 Megabyte in the system address space 50 to execute the SMI handler code for performing the system management activities.

20 The SMI handler is then configured to begin execution of SMI code with the CPU 14 in the SMM mode. In particular, the SMI handler performs a NEAR JMP to a location 24 that is still above 1 Megabyte in the system address space 50, as shown in Figure 6, where a CPU 14 mode change is accomplished. The
25 location 24 must be within 64 Kbytes of the location 22. The

SMI handler then issues a control signal to the CPU 14 to configure the CPU 14 to operate in the protected mode. In one embodiment, this is accomplished by setting bit 0 in the CRO register is to 1.

5 In one embodiment, the SMI handler is then configured to create page tables that are required when utilizing the paging feature of the CPU 14. The page tables are located in an area of system memory 18 (Figure 1). Each page table contains 1024 entries that point to the starting address of 1024 individual
10 pages.

The SMI handler is also configured to create a TSS and an I/O bit map that is required when utilizing the task state segment (TSS) feature of the CPU 14. The use of the I/O bit map provides a protection mechanism for access to the I/O address
15 space. As described earlier, the I/O bit map is stored in the TSS of the task invoked.

In an alternate embodiment, the page tables and the I/O bit map may be created during the power-on self test (POST), prior to invocation of SMM. In this alternate embodiment, the page
20 tables and the TSS and I/O bit map only have to be created once, and they are not deleted upon completion of the SMM activities. In addition, in either embodiment, the page tables may be created without creating the TSS and I/O bit map at the same time. Conversely, the TSS and I/O bit map may be created

without creating the page tables at the same time.

Once the page tables and the TSS and I/O bit map have been created, then the SMI handler invokes the paging feature of the CPU 14. In one embodiment, this is performed by setting bit 31
5 in the CR0 register of the x86 processor as marketed by Intel Corp. The SMI handler then switches the CPU 14 to the virtual mode. In one embodiment, this may be performed by executing a FAR JMP to the TSS for switching to the virtual mode. In addition, the physical memory area above 1 Megabyte is mapped
10 virtually to the first Megabyte of the task's linear address space. As a result, a task switch is invoked to change the operational mode of the processor 14 to the virtual mode, above the 1 Megabyte boundary.

Once in virtual mode, the CPU 14 determines the logical
15 address of the application the same way as in real mode. The physical address is determined by using the page tables. The SMI handler then begins to perform the task required to process the system management activities. During execution of the system management activities, the software occasionally
20 configures the processor to operate in the protected mode so as to facilitate the execution of certain special tasks. These special tasks include cache flushes and the accessing of the floating point unit in the arithmetic logic unit, as is known by one of skill in the art. If so, the SMI handler configures the
25 CPU 14 to operate in protected mode. Once thus configured, the

CPU 14 may process the special task(s). Upon completion of the special task(s), the SMI handler configures the CPU 14 to operate in virtual mode so that system management activities may resume.

5 Upon completion of the system management activities, the SMI handler configures the CPU 14 to exit the virtual mode, which also configures the CPU 14 to operate in the protected mode again. Paging is then disabled by clearing the PG bit, bit 31 (see Figure 3G). The SMI handler then executes a resume
10 (RSM) instruction which restores the CPU 14's context in SMRAM 20, de-asserts the SMIACT signal, and then returns control to the previously interrupted operating system or application program execution.

 Figures 7A and 7B are flowcharts illustrating one
15 embodiment of the process of the present invention. Beginning from a start state, the process S100 proceeds to process step S102, where SMM is invoked through the issuance of an SMI. The process S100 then proceeds to process step S104, where in particular, the data and code stored in SMRAM 20 located in
20 physical memory is first mapped into a location 22 that is above 1 Megabyte in the system address space 50. The current CPU 14 state (context) is stored in SMRAM 20. The SMI handler then initiates execution of the SMI code above 1 Megabyte while the CPU 14 is still operating in SMM mode, as shown in process step
25 S106. In particular, the SMI handler performs a NEAR JMP to a

location that is still above 1 Megabyte in the system address space 50. The process S100 then proceeds to process step S108, where the SMI handler then issues a control signal to the CPU 14 to configure the CPU 14 to operate in the protected mode. The SMI handler then creates page tables and an I/O table (process step S110). Alternatively, the page tables and the I/O table may be created during POST. Next, the SMI handler invokes the paging feature of the CPU 14 (process step S112). The process S100 then advances to process step S114, where the SMI handler configures the CPU to operate in virtual mode. The SMI handler then proceeds to process the SMI and to perform system management activities, as shown in process step S116.

During execution of the system management activities, the software occasionally reconfigures the processor to operate in the protected mode so as to facilitate the execution of certain special tasks (decision step S118). These special tasks include cache flushes and the accessing of the floating point unit in the arithmetic logic unit, as is known by one of skill in the art. If so, the process S100 proceeds to process step S120, where the SMI handler configures the CPU 14 to operate in protected mode. Once thus configured, the CPU 14 may process the special task(s) (process step S122). Upon completion of the special task(s), the SMI handler configures the CPU 14 to operate in virtual mode. The SMI handler then proceeds to decision step S126. If, as decision step S118, the process S100 determines that there are no special tasks that have to be

performed, the process S100 proceeds directly to decision step S126.

At decision step S126, the process S100 queries if all system management activities have been completed. If not, the process S100 proceeds to process step S116, where it continues processing system management activities. If all system management activities have been completed, the SMI handler configures the CPU 14 to exit virtual mode (process step S128) and then configures the CPU 14 to operate in the protected mode again. Paging is then disabled (process step S130). If the page tables and the I/O table were created after invocation of the SMI and not during post, the process S100 proceeds to process step S132 to delete the page tables and the I/O table. Next, the SMI handler executes a resume (RSM) instruction which restores the CPU 14's context to SMRAM 20 (process step S134). The process S100 then returns control to the previously interrupted operating system process or application program execution, as shown in process step S136. The process S100 then terminates.

Through the use of the present invention, an apparatus and method for efficiently executing code within a system management mode is provided. In particular, the present invention facilitates the execution of code within a system management mode without duplication of programming code, increase use of memory or increased maintenance. The use of the present

invention facilitates the implementation of code that is simple, compact and is easy to debug.

Although the present invention has been described in terms of certain preferred embodiments, other embodiments apparent to
5 those of ordinary skill in the art are also within the scope of this invention. Accordingly, the scope of the invention is intended to be defined only by the claims which follow.

CLAIMS

What is claimed is:

1 1. An apparatus for executing instructions in a system
2 management mode in a processor-based system, comprising:
3 a memory for storing instruction sequences by which
4 the processor-based system is processed;
5 a processor having a system address space, the
6 processor for executing the stored instruction sequences; and
7 wherein the stored instruction sequences include
8 process steps to cause the processor to: (a) configure the
9 processor to operate in a protected mode while in system
10 management mode, the processor operating at an address greater
11 than one megabyte; (b) invoke a paging feature of the processor;
12 (c) configure the processor to operate in a virtual mode; and
13 (d) process the instruction sequences stored, wherein the
14 process steps occur upon the receipt of an instruction to
15 process a system management request.

1 2. The apparatus of Claim 1, wherein step (b), comprises
2 the steps of:
3 (b.1) creating at least one page table; and
4 (b.2) invoking a paging feature of the processor.

1 3. The apparatus of Claim 1, further comprising the step

2 of creating at least one page table prior to step (a).

1 4. The apparatus of Claim 1, wherein step (a), comprises
2 the steps of:

3 (a.1) performing a near jump to a second location;

4 and

5 (a.2) configuring the processor to operate in a
6 protected mode.

1 5. The apparatus of Claim 1, further comprising the steps
2 of:

3 (e) determine if control should be transferred to
4 instruction sequences for executing a task that requires the
5 processor to be configured to operate in protected mode;

6 (f) if so, configuring the processor to operate in
7 the protected mode, and executing the instruction sequences for
8 executing the task; and

9 (g) otherwise to continue to process the instruction
10 sequences stored.

1 6. The apparatus of Claim 5, further comprising the steps
2 of:

3 (h) determining if execution of instruction sequences
4 pertaining to system management activities have been completed;

5 and

6 (i) if so, configuring the processor to disable
7 operation in the virtual mode, configuring the processor to

8 operate in the protected mode, and configuring the processor to
9 disable paging; otherwise continuing to execute instruction
10 sequences pertaining to system management activities.

1 7. The apparatus of Claim 5, further comprising the steps
2 of:

3 (h) restoring the processor's context in memory; and
4 (i) returning to a calling function.

1 8. The apparatus of Claim 7, further comprising the steps
2 of:

3 (j) deleting the at least one page table;
4 (k) restoring the processor's context in memory; and
5 (l) returning to a calling function.

1 9. The apparatus of Claim 1, further comprising the steps
2 of:

3 (e) determining if execution of instruction
4 sequences pertaining to system management activities have been
5 completed; and

6 (f) if so, configuring the processor to disable
7 operation in the virtual mode, configuring the processor to
8 operate in the protected mode, and configuring the processor to
9 disable paging; otherwise continuing to execute instruction
10 sequences pertaining to system management activities.

1 10. The apparatus of Claim 9, further comprising the steps

2 of:

3 (g) restoring the processor's context in memory; and

4 (h) returning to a calling function.

1 11. A method for executing instructions in a system
2 management mode in a processor-based system, comprising the
3 steps of:

4 (a) configuring a processor to operate in a
5 protected mode, while in system management mode, the processor
6 operating at an address greater than one megabyte;

7 (b) invoking a paging feature of the processor;

8 (c) configuring the processor to operate in a
9 virtual mode;

10 (d) processing the instruction sequences stored in
11 the first location; and

12 wherein the process steps occur upon the receipt of an
13 instruction to process a system management request.

1 12. The method of Claim 11, wherein step (b), comprises
2 the steps of:

3 (b.1) creating at least one page table; and

4 (b.2) invoking a paging feature of the processor.

1 13. The method of Claim 11, further comprising the step of
2 creating at least one page table prior to step (a).

1 14. The method of Claim 11, wherein step (a), comprises

2 the steps of:

3 (a.1) performing a near jump to a second location;

4 and

5 (a.2) configuring the processor to operate in a
6 protected mode.

1 15. The method of Claim 11, further comprising the steps
2 of:

3 (e) determine if control should be transferred to
4 instruction sequences for executing a task that requires the
5 processor to be configured to operate in protected mode;

6 (f) if so, configuring the processor to operate in
7 the protected mode, and executing the instruction sequences for
8 executing the task; and

9 (g) otherwise to continue to process the instruction
10 sequences stored.

1 16. The method of Claim 15, further comprising the steps
2 of:

3 (h) determining if execution of instruction
4 sequences pertaining to system management activities have been
5 completed; and

6 (i) if so, configuring the processor to disable
7 operation in the virtual mode, configuring the processor to
8 operate in the protected mode, and configuring the processor to
9 disable paging; otherwise continuing to execute instruction
10 sequences pertaining to system management activities.

1 17. The method of Claim 15, further comprising the steps
2 of:

- 3 (h) restoring the processor's context in memory; and
4 (i) returning to a calling function.

1 18. The method of Claim 17, further comprising the steps
2 of:

- 3 (j) deleting the at least one page table;
4 (k) restoring the processor's context in memory; and
5 (l) returning to a calling function.

1 19. The method of Claim 11, further comprising the steps
2 of:

- 3 (e) determining if execution of instruction
4 sequences pertaining to system management activities have been
5 completed; and
6 (f) if so, configuring the processor to disable
7 operation in the virtual mode, configuring the processor to
8 operate in the protected mode, and configuring the processor to
9 disable paging; otherwise continuing to execute instruction
10 sequences pertaining to system management activities.

1 20. The method of Claim 19, further comprising the steps
2 of:

- 3 (g) restoring the processor's context in memory; and
4 (h) returning to a calling function.

1 21. Computer-executable process steps for executing
2 instructions in a system management mode in a processor-based
3 system, comprising the steps of:

4 (a) configuring the processor to operate in a
5 protected mode while in system management mode, the processor
6 operating at an address greater than one megabyte;

7 (b) invoking a paging feature of the processor;

8 (c) configuring the processor to operate in a
9 virtual mode;

10 (d) processing the instruction sequences stored in
11 the first location; and

12 wherein the process steps occur upon the receipt of an
13 instruction to process a system management request.

1 22. Computer-executable process steps of Claim 21, wherein
2 step (b) comprises the steps of:

3 (b.1) creating at least one page table; and

4 (b.2) invoking a paging feature of the processor.

1 23. Computer-executable process steps of Claim 21, further
2 comprising the step of creating at least one page table prior to
3 step (a).

1 24. Computer-executable process steps of Claim 21, wherein
2 step (a) comprises the steps of:

3 (a.1) performing a near jump to a second location;

4 and

5 (a.2) configuring the processor to operate in a
6 protected mode.

1 25. Computer-executable process steps of Claim 21, further
2 comprising the steps of:

3 (e) determine if control should be transferred to
4 instruction sequences for executing a task that requires the
5 processor to be configured to operate in protected mode;

6 (f) if so, configuring the processor to operate in
7 the protected mode, and executing the instruction sequences for
8 executing the task; and

9 (g) otherwise to continue to process the instruction
10 sequences stored.

1 26. Computer-executable process steps of Claim 25, further
2 comprising the steps of:

3 (h) determining if execution of instruction
4 sequences pertaining to system management activities have been
5 completed; and

6 (i) if so, configuring the processor to disable
7 operation in the virtual mode, configuring the processor to
8 operate in the protected mode, and configuring the processor to
9 disable paging; otherwise continuing to execute instruction
10 sequences pertaining to system management activities.

1 27. Computer-executable process steps of Claim 25, further

2 comprising the steps of:

3 (h) restoring the processor's context in memory; and

4 (i) returning to a calling function.

1 28. Computer-executable process steps of Claim 27, further
2 comprising the steps of:

3 (j) deleting the at least one page table;

4 (k) restoring the processor's context in memory; and

5 (l) returning to a calling function.

1 29. Computer-executable process steps of Claim 21, further
2 comprising the steps of:

3 (e) determining if execution of instruction
4 sequences pertaining to system management activities have been
5 completed; and

6 (f) if so, configuring the processor to disable
7 operation in the virtual mode, configuring the processor to
8 operate in the protected mode, and configuring the processor to
9 disable paging; otherwise continuing to execute instruction
10 sequences pertaining to system management activities.

1 30. Computer-executable process steps of Claim 29, further
2 comprising the steps of:

3 (g) restoring the processor's context in memory; and

4 (h) returning to a calling function.

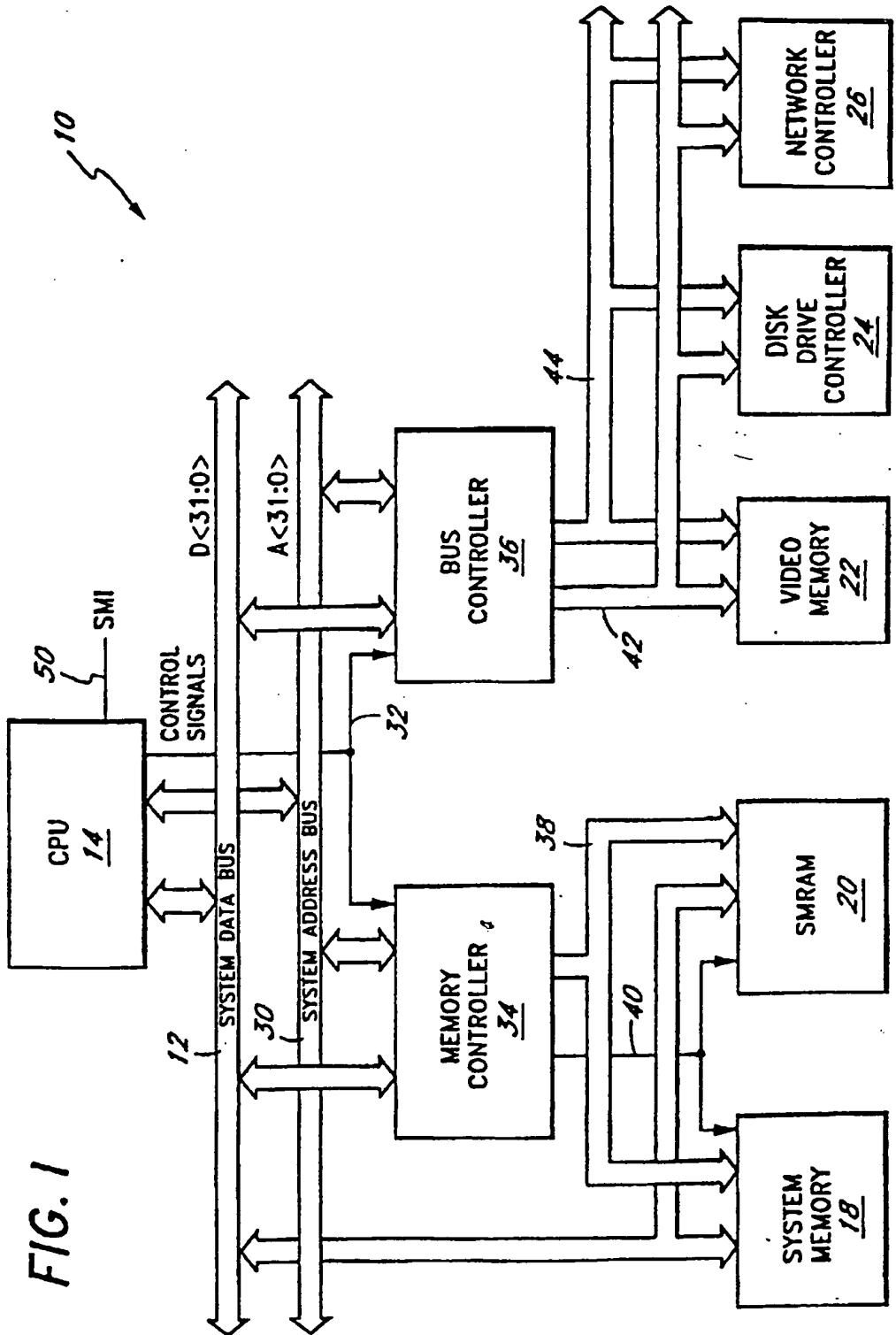


FIG. 1

FIG. 2A

50

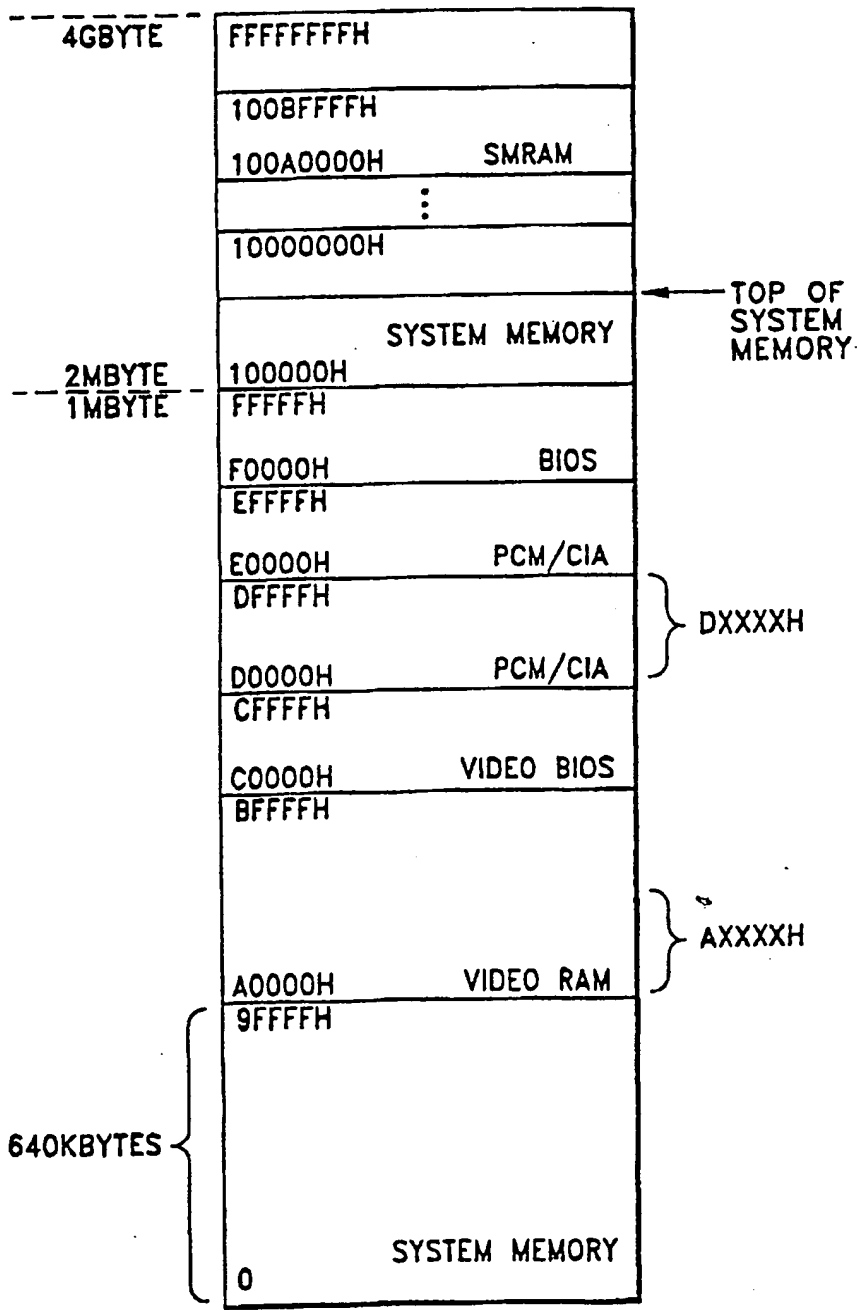


FIG. 2B

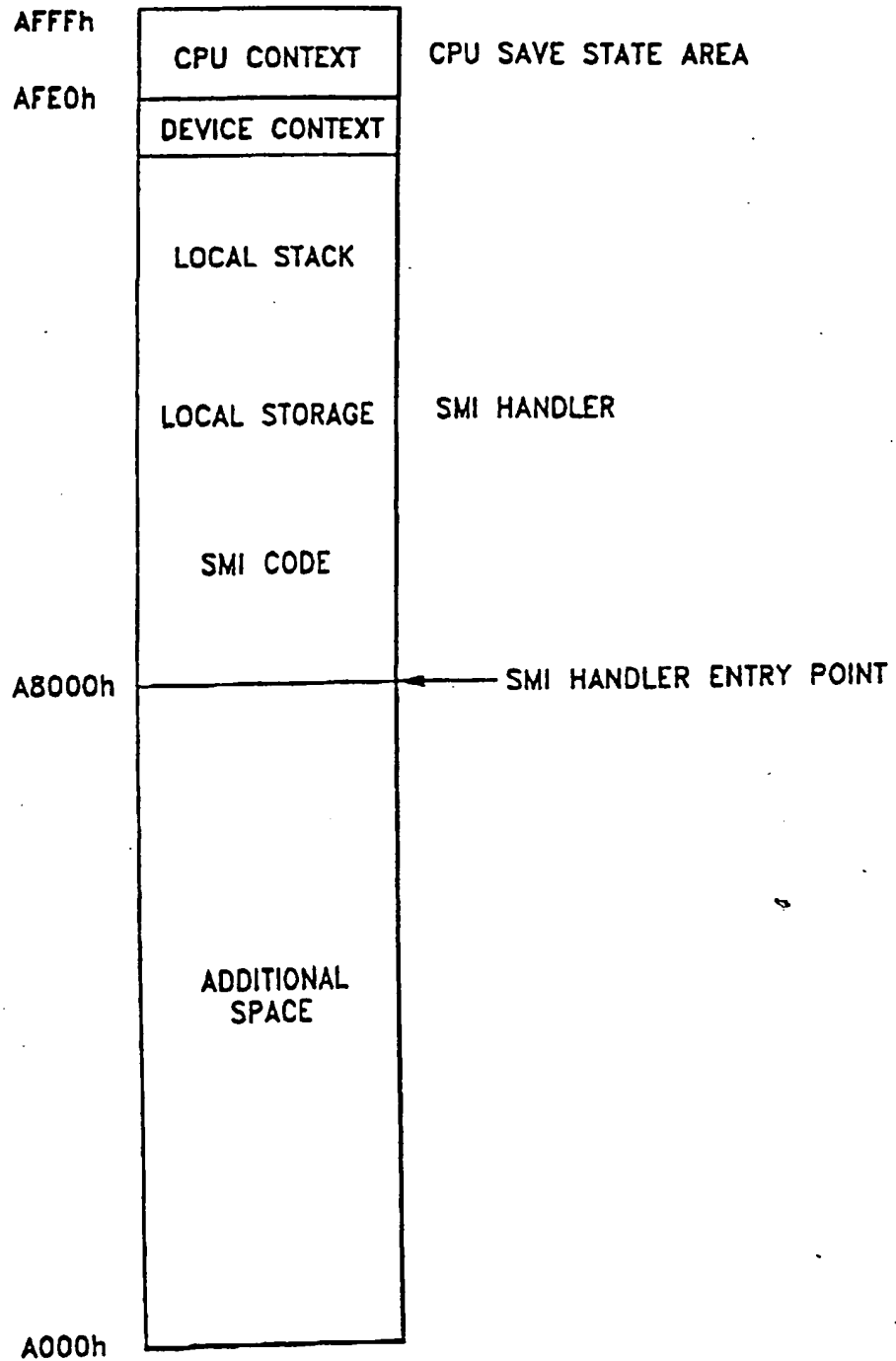


FIG. 3A

GENERAL PURPOSE REGISTERS

31		16 15	8 7	0	
	AH	AL			EAX
	BH	BL			EBX
	CH	CL			ECX
	DH	DL			EDX
	SI				ESI
	DI				EDI
	BP				EBP
	SP				ESP

FIG. 3B

SEGMENT REGISTERS

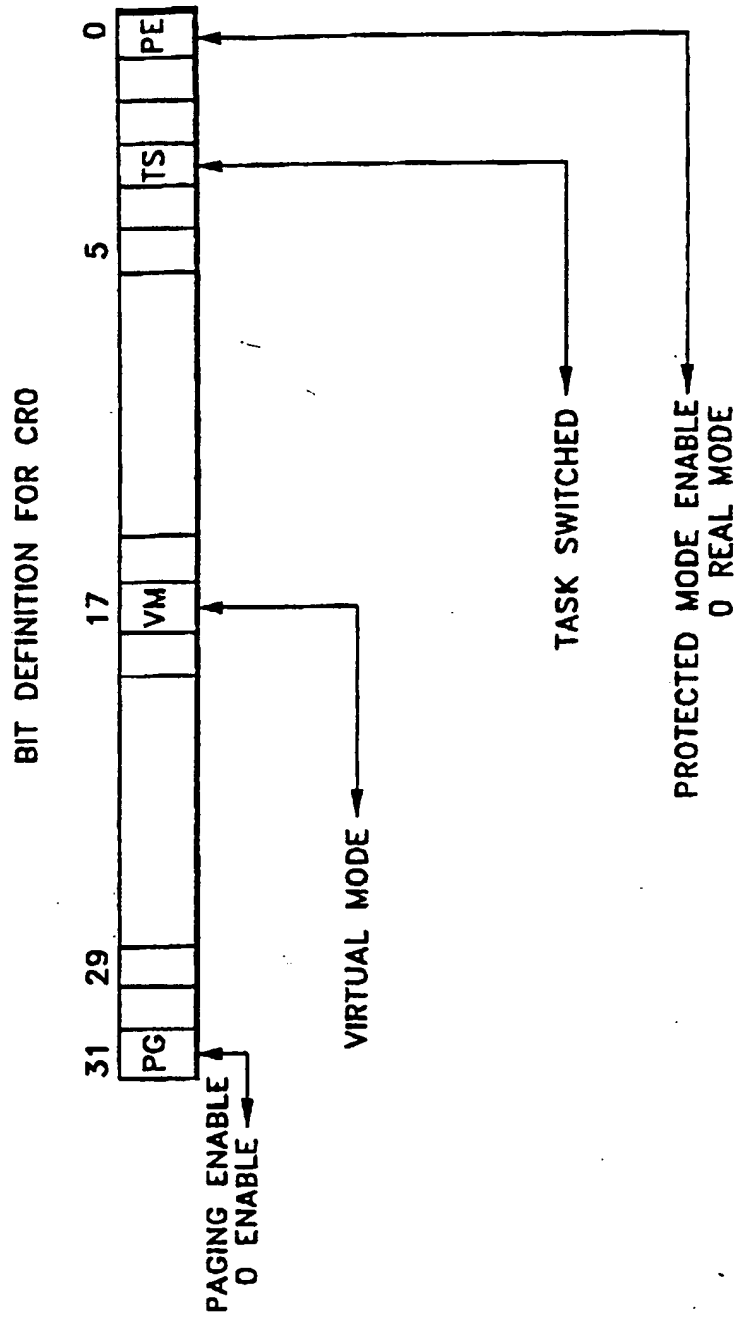
15		0	
			CS
			SS
			DS
			ES
			FS
			GS

FIG. 3C

STATUS & CONTROL REGISTERS

31		16 15	0	
	IP			EIP
	FLAG			EFLAGS

FIG. 3G



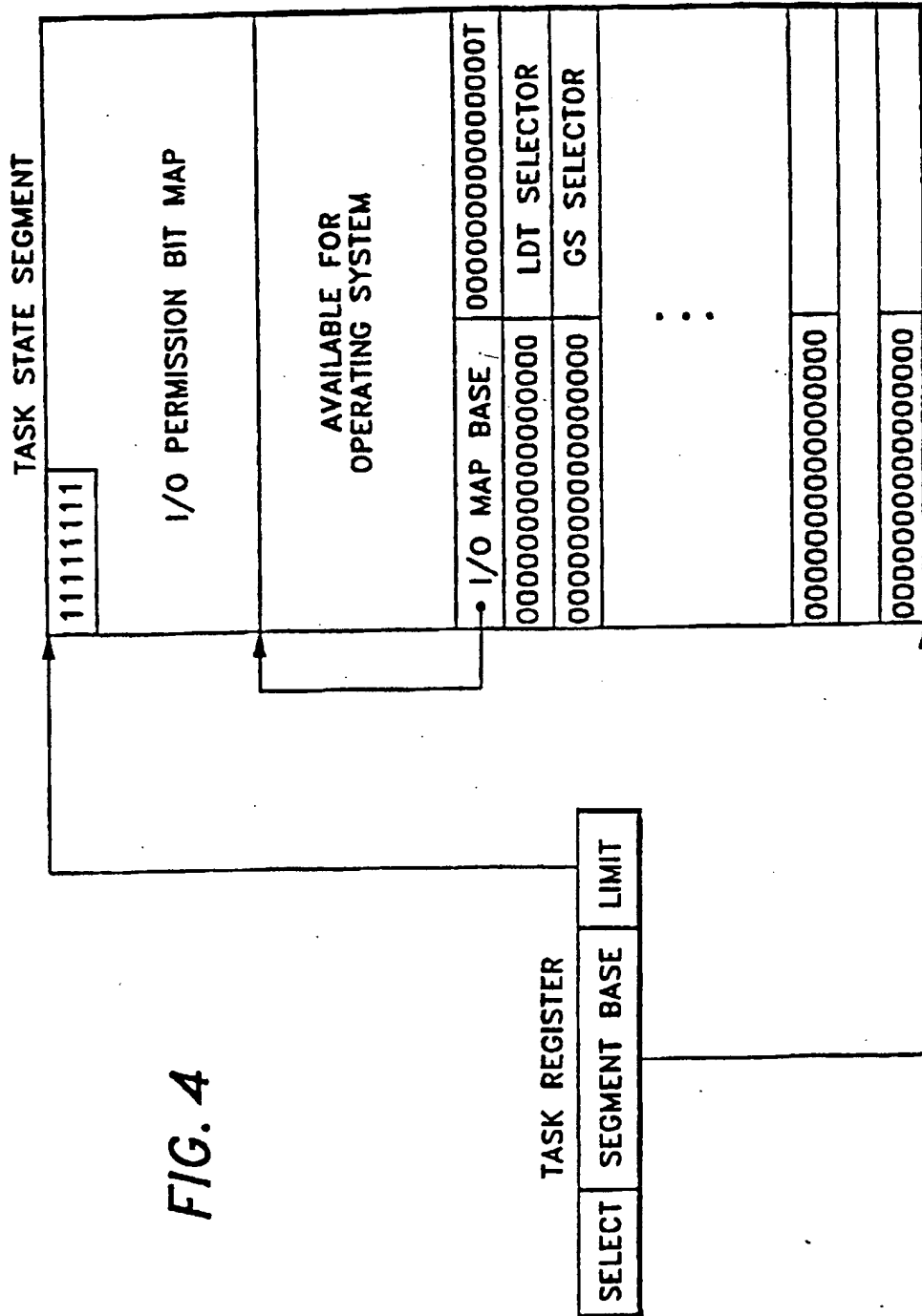


FIG. 4

FIG. 5

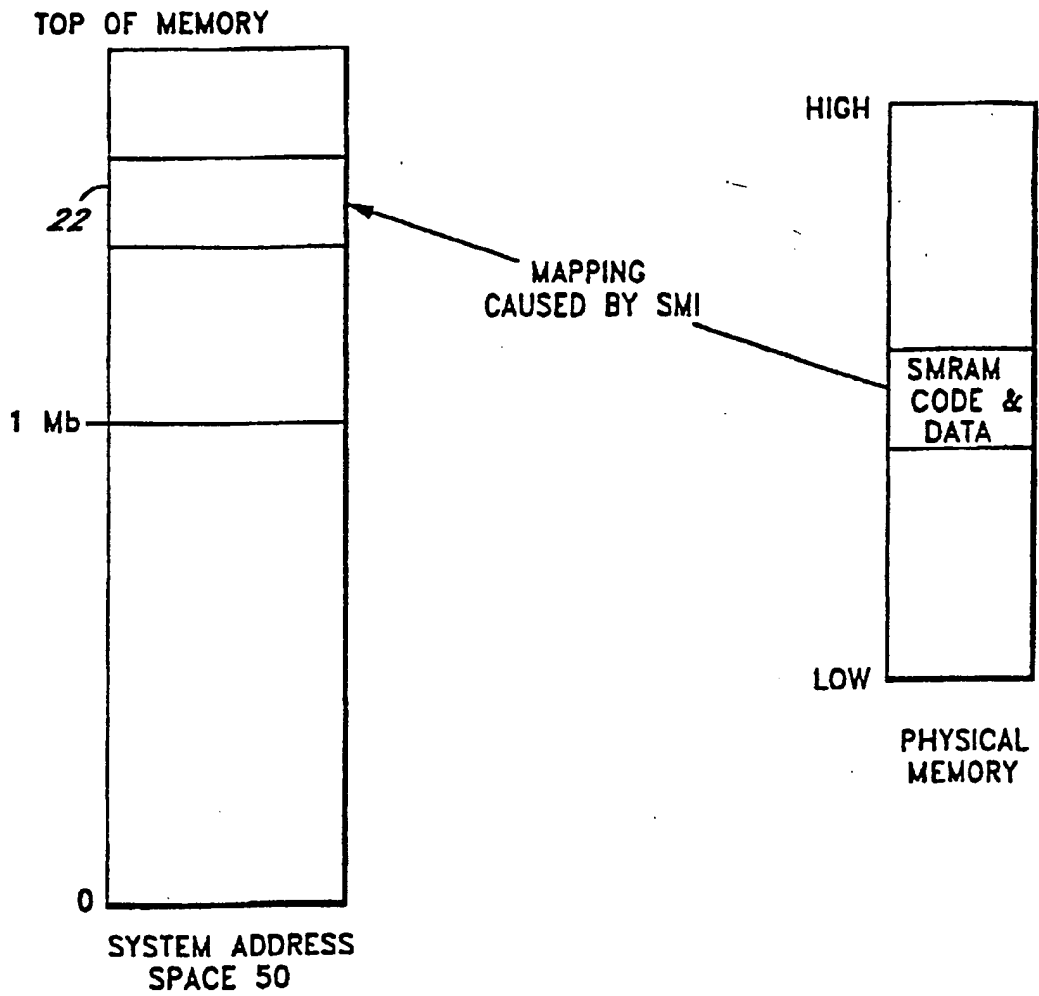


FIG. 6

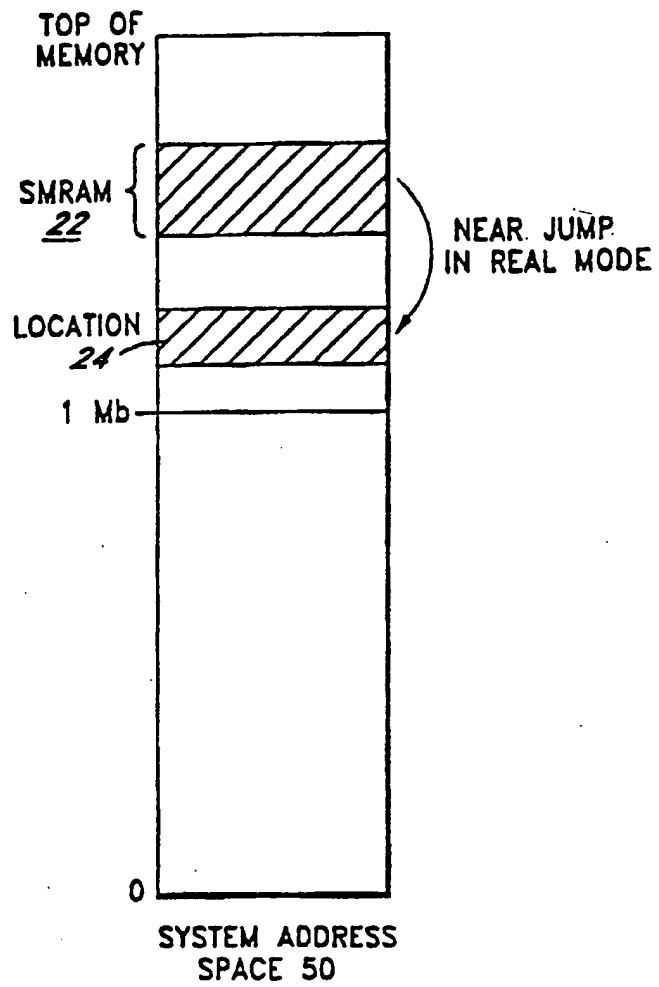


FIG. 7A

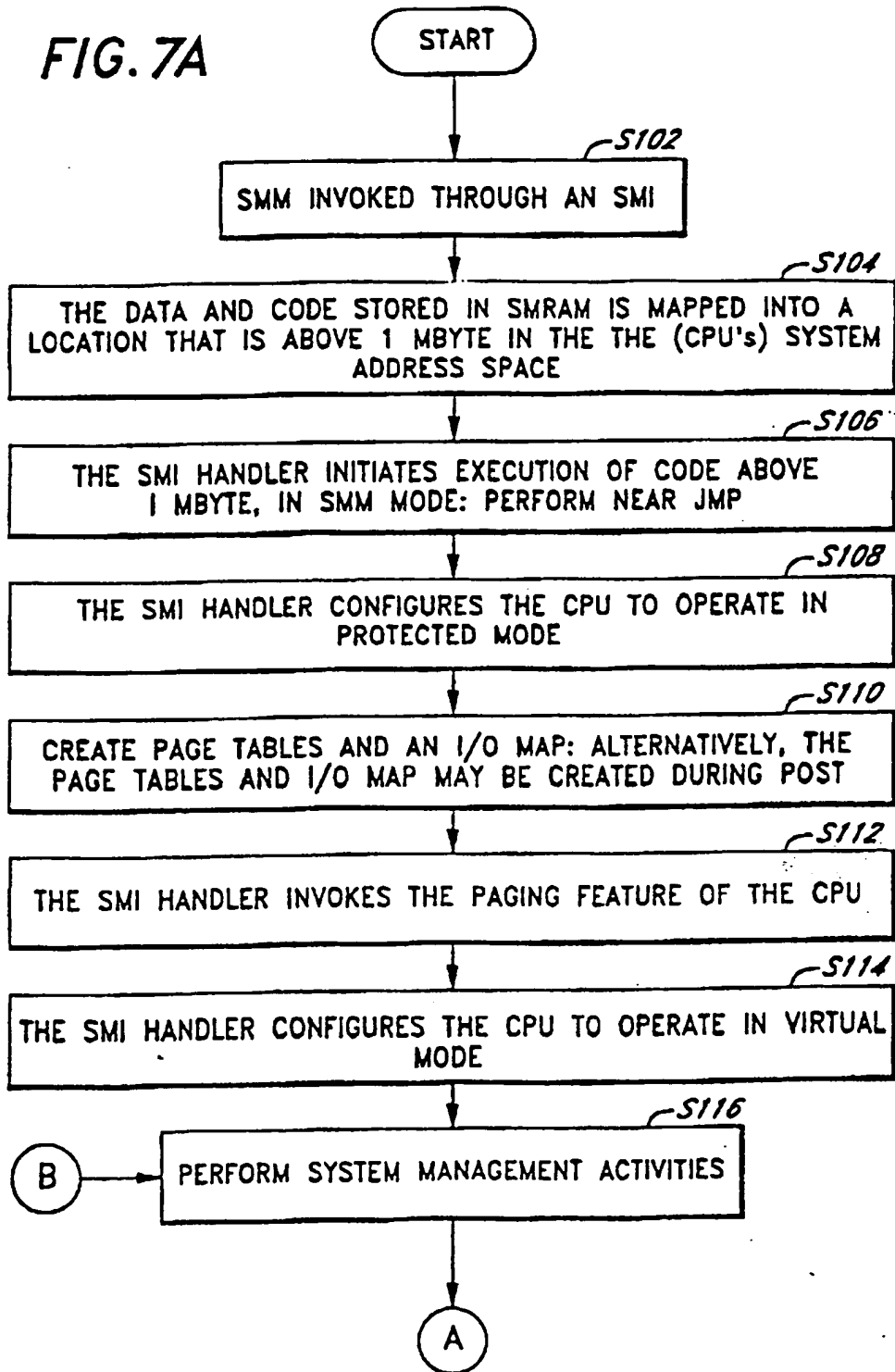
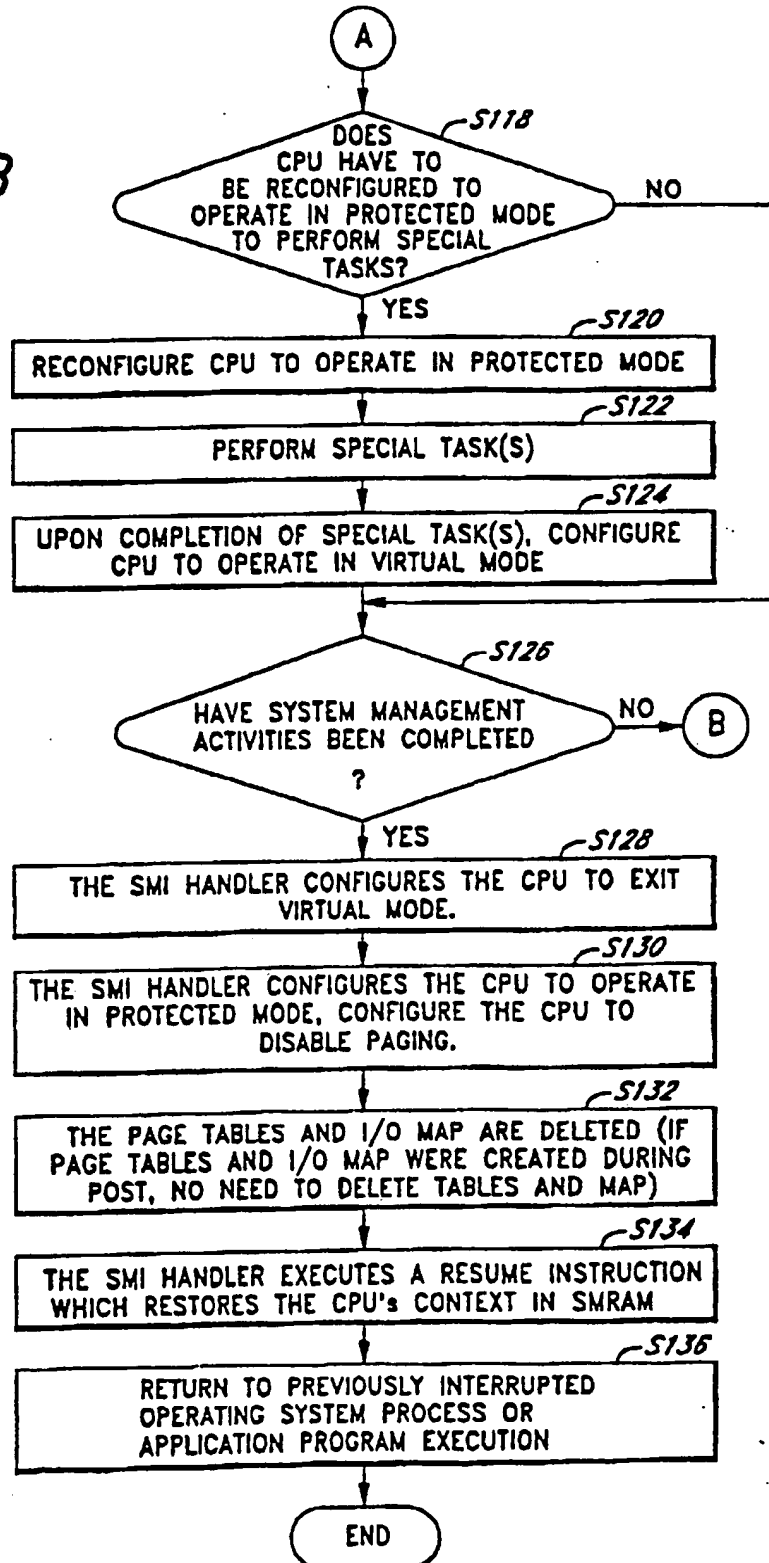


FIG. 7B



INTERNATIONAL SEARCH REPORT

International Application No
PCT/US 98/21088

A. CLASSIFICATION OF SUBJECT MATTER IPC 6 G06F12/10 G06F9/46				
According to International Patent Classification (IPC) or to both national classification and IPC				
B. FIELDS SEARCHED				
Minimum documentation searched (classification system followed by classification symbols) IPC 6 G06F				
Documentation searched other than minimum documentation to the extent that such documents are included in the fields searched				
Electronic data base consulted during the international search (name of data base and, where practical, search terms used)				
C. DOCUMENTS CONSIDERED TO BE RELEVANT				
Category *	Citation of document, with indication, where appropriate, of the relevant passages	Relevant to claim No.		
X	EP 0 768 603 A (CYRIX CORP) 16 April 1997 see abstract see page 7, line 32 - page 13, line 44; figures 6A,6B ---	1,11,21		
A	US 5 671 422 A (DATTA SHAM M) 23 September 1997 see abstract see column 3, line 11 - line 50 ---	1,11,21		
A	"CACHE FREEZE FUNCTION IN LEVEL 2 CACHE CONTROLLER" IBM TECHNICAL DISCLOSURE BULLETIN, vol. 37, no. 12, 1 December 1994, page 467/468 XP000487854 see the whole document -----	1,11,21		
<input type="checkbox"/> Further documents are listed in the continuation of box C. <input checked="" type="checkbox"/> Patent family members are listed in annex.				
* Special categories of cited documents :				
<table style="width: 100%; border: none;"> <tr> <td style="width: 50%; vertical-align: top;"> "A" document defining the general state of the art which is not considered to be of particular relevance "E" earlier document but published on or after the international filing date "L" document which may throw doubts on priority claim(s) or which is cited to establish the publication date of another citation or other special reason (as specified) "O" document referring to an oral disclosure, use, exhibition or other means "P" document published prior to the international filing date but later than the priority date claimed </td> <td style="width: 50%; vertical-align: top;"> "T" later document published after the international filing date or priority date and not in conflict with the application but cited to understand the principle or theory underlying the invention "X" document of particular relevance; the claimed invention cannot be considered novel or cannot be considered to involve an inventive step when the document is taken alone "Y" document of particular relevance; the claimed invention cannot be considered to involve an inventive step when the document is combined with one or more other such documents, such combination being obvious to a person skilled in the art. "&" document member of the same patent family </td> </tr> </table>			"A" document defining the general state of the art which is not considered to be of particular relevance "E" earlier document but published on or after the international filing date "L" document which may throw doubts on priority claim(s) or which is cited to establish the publication date of another citation or other special reason (as specified) "O" document referring to an oral disclosure, use, exhibition or other means "P" document published prior to the international filing date but later than the priority date claimed	"T" later document published after the international filing date or priority date and not in conflict with the application but cited to understand the principle or theory underlying the invention "X" document of particular relevance; the claimed invention cannot be considered novel or cannot be considered to involve an inventive step when the document is taken alone "Y" document of particular relevance; the claimed invention cannot be considered to involve an inventive step when the document is combined with one or more other such documents, such combination being obvious to a person skilled in the art. "&" document member of the same patent family
"A" document defining the general state of the art which is not considered to be of particular relevance "E" earlier document but published on or after the international filing date "L" document which may throw doubts on priority claim(s) or which is cited to establish the publication date of another citation or other special reason (as specified) "O" document referring to an oral disclosure, use, exhibition or other means "P" document published prior to the international filing date but later than the priority date claimed	"T" later document published after the international filing date or priority date and not in conflict with the application but cited to understand the principle or theory underlying the invention "X" document of particular relevance; the claimed invention cannot be considered novel or cannot be considered to involve an inventive step when the document is taken alone "Y" document of particular relevance; the claimed invention cannot be considered to involve an inventive step when the document is combined with one or more other such documents, such combination being obvious to a person skilled in the art. "&" document member of the same patent family			
Date of the actual completion of the international search		Date of mailing of the international search report		
9 March 1999		17/03/1999		
Name and mailing address of the ISA European Patent Office, P.B. 5818 Patentlaan 2 NL - 2280 HV Rijswijk Tel. (+31-70) 340-2040, Tx. 31 651 epo nl, Fax: (+31-70) 340-3016		Authorized officer Wiltink, J		

INTERNATIONAL SEARCH REPORT

Information on patent family members

International Application No
PCT/US 98/21088

Patent document cited in search report	Publication date	Patent family member(s)	Publication date
EP 0768603 A	16-04-1997	US 5764999 A JP 9128249 A	09-06-1998 16-05-1997
US 5671422 A	23-09-1997	NONE	